

Raxton Swivel Adaptors

Technical Specification



The 90° Swivel Adaptor (Types FP, FQ, FR) has been designed to allow a full 360° choice of cable entry/exit positions. This enables the installer to run the cable in any direction which greatly improves ease of installation in confined or difficult situations. The cable entry/exit can be aligned without the over or under torque compromise imposed by the direction of the cable. The Inline type (Types FA, FC, FD) allows independent connection at both ends.

Certifications and Compliances

Code of Protection Categories

ATEX: I M2, Ex d IMb, Ex e I Mb, (not Alum) or IIGd Ex d IIC Gb, Ex e IIC Gb, Ex tb IIIC Db
IECEX: Ex d Ex e IIC Gb, Ex d Ex e IM (Not Alum), Ex tb IIIC Db, IP 6X
INMETRO: Ex d IIC Gb, Ex e IIC Gb, Ex d I Mb, Ex e Mb, Ex tb IIIC Db IP6X

Compliance Standards

ATEX: EN 60079-0:2009, EN60079-1:2007, EN 60079-7:2007, EN 60079-31:2008
INMETRO: ABNT NBR IEC 60079-0:2008, ABNT NBR IEC 60079-1:2009, ABNT NBR IEC 60079-7:2008, ABNT NBR IEC 60079-31:2011
IECEX: IEC 60079-0:2007, IEC 60079-1:2007, IEC 60079-7:2006, IEC 60079-31:2008

Certificate Details

ATEX: Sira 10ATEX1056U
IECEX: IECEX SIR 10.0025U
INMETRO: NCC 12.0764X

TEMPERATURE

Temperature range: -50°C to +180°C

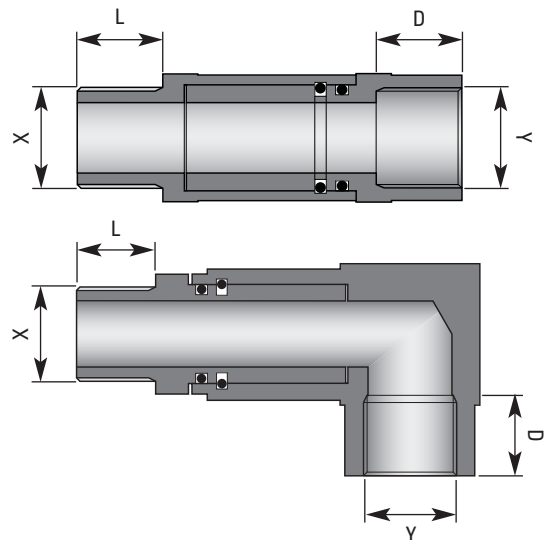
Ingress Protection (IP):

Independently tested to IP66 / IP68 when fitted in accordance to manufacturer's instructions.



Product Dimensions

Thread X	Thread Y	Length (L) (mm)	Depth (D) (mm)	Min Wall (mm)
M16	M20	17.0	17.0	2.25
M25	M25-M20	17.0	17.0	2.75
M32	M32-M20	17.0	17.0	3.00
M40	M40-M20	17.0	17.0	3.00
M50	M50-M20	17.0	17.0	3.00
M63	M63-M20	17.0	17.0	3.25
M75	M75-M20	17.0	17.0	3.25



Product Codes

DIGIT 1+2	DIGIT 3	DIGIT 4 & 5 Male	DIGIT 6 & 7 Female	DIGIT 8	DIGIT 9	DIGIT 10			
Description (Swivel Adaptors)	Code	Material	Code	Thread Reference	Approval	Special	Plating		
SWIVEL INLINE M-F	FA	BRASS	A	M16 11 ½" NPT 42	ATEX/IECEX/ INMETRO Ex de For other approvals please see product coding list on page 64	None (standard)	X or blank	None	Blank
SWIVEL INLINE F-F	FC	ALUMINIUM	B	M20 12 ¾" NPT 43		Customer Special	S	Nickel	N
SWIVEL INLINE M-M	FD	MILD STEEL	C	M25 13 1" NPT 44				Zinc	Z
SWIVEL 90° M-F	FP	STAINLESS STEEL	E	M32 14 1¼" NPT 45				Chromatised	C
SWIVEL 90° F-F	FQ			M40 15 1½" NPT 46				Special	S
SWIVEL 90° M-M	FR			M50 16 2" NPT 47					
				M63 17 2½" NPT 48					
				M75 18 3" NPT 49					
		M90 81 3½" NPT 86							
		M100 82 4" NPT 87		Industrial		X or Blank			

Other sizes / threads are available on request

PRODUCT CODING EXAMPLE	Swivel	Brass	1" NPT(M)	M32(F)	Ex de	PART NUMBER
	FA	A	44	14	Y	= FAA4414Y